



The background of the page is filled with various technical drawings of turnstile parts. These include side views of the main housing, top-down views of the fare box, and detailed views of the fare entry mechanism. Dimensions are provided in millimeters for various parts, such as the width of the fare box (320, 660, 750), the height of the main housing (790, 1070), and the diameter of the fare entry rod ($\phi 33,7$). The ISO logo is prominently displayed in the center, with the word 'PRODUCTION' underneath it.

ISO

PRODUCTION

TURNSTILES
Product catalog - May 2013

Swing gates	
Gate	4
Freeway turnstiles	
Sweeper	5
Jetpan	6
Speed blade	7
Horn turnstiles	
Skiline	8
Centurion	9
Twix	10
Rotor turnstiles	
Star-G, Star-T	11
Star-W	12
Full-height turnstile (shortened)	
Cyclone	13
Full-height turnstiles	
Bicyclone	14
GlassGO	15
Sesame	16
Sesame twin	17
EM Doors	
EM Doors	18
Enclosure	
Fire gate and enclosure	19
Accessories	
Reader Post	20
Mobile Platform	21
Railing	22
Q-manager	23
Modular	24
Reference list	25



Product specifications and complete sets may differ from that shown on the photo

Swing gates

Gate



The primary purpose of the Swing Gate is single or dual direction control of pedestrian access for industrial enterprises, administrative establishments, banks, offices, shops, stations and other sites. Due to its unique shape and variety of models, it can suit any interior.

Principle of operation

The initial position locking gear underlies the operation of the Servo-Type Swing Gate. Rotation of the bar in either direction is blocked at the initial position when the electromagnet is engaged, so access is impossible.

When a command signal authorizing access is entered from the control panel:

- The gear rotates the bar 90°;
- The gear returns the bar to its initial position after a pedestrian has passed.

The Servo-Type Swing Gate can be controlled manually via the control panel.

If the "Permit" button is pushed and held down, the gear rotates the bar 90°. If the button is released, the bar is returned to its initial position. If the "Free Access" button is pushed, the gear rotates the bar 90° and holds the bar in position. If the "Free Access" button is released, the bar is returned to its initial position. When the power network is switched off, the Servo-Type Swing Gate is automatically supplied power from a backup power source (12 V battery, 7 A.h) operable for at least 4 hours.

Controlled by

- access control system;
- manual control.

Versions of the mechanism:

Gate-T, G – Servo

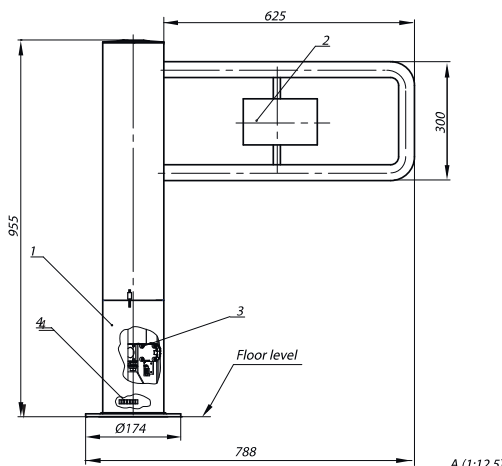
When power goes OFF both directions are free.

To be delivered additionally

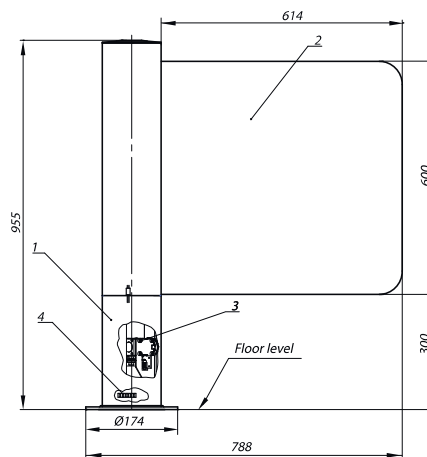
- Reader posts
- Readers for access control system.
- Remote radio controller.
- Backup battery 12 V, 7 A.h.



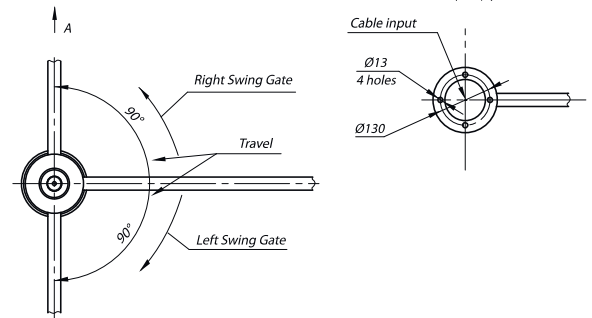
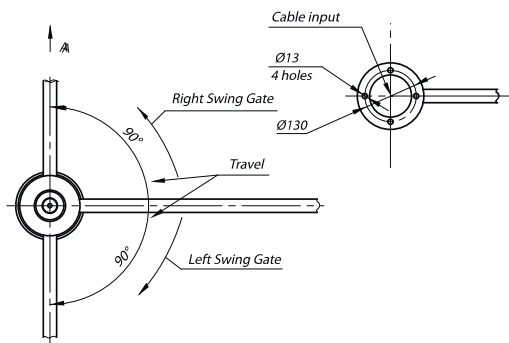
GATE-T



GATE-G



- 1 – turnstile housing;
- 2 – flag;
- 3 – servomotor;
- 4 – terminal block.



Electrical Specifications

- Voltage:
 - from the AC (100-240)V, 50/60Hz;
 - from a DC source 12 V.
- Maximum power consumption 200 W per pass (50 W without servo)
- Degree of protection according to GOST 14254-96 - IP41

Dimensions, mm			Weight, kg, not more
H	L	B	
955	790	174	50

Freeway turnstiles

The turnstile "SWEEPER" perfectly suits even the most demanding customers due to its design. Glass panels as well as glass side panels of this waist-high turnstile give the feeling of "transparency" and apart from execution of its functions for intended purpose the turnstile "SWEEPER" will be an excellent element of interior.



Sweeper

Controlled by

- access control system;
- manual control.

Access control system



Manual control



When power goes OFF both directions are free.

Version	Dimensions, mm			Weight, kg, not more
	H	L	B	
Single pass	1012	966	1518	450
Two-pass	1012	1724	1518	700

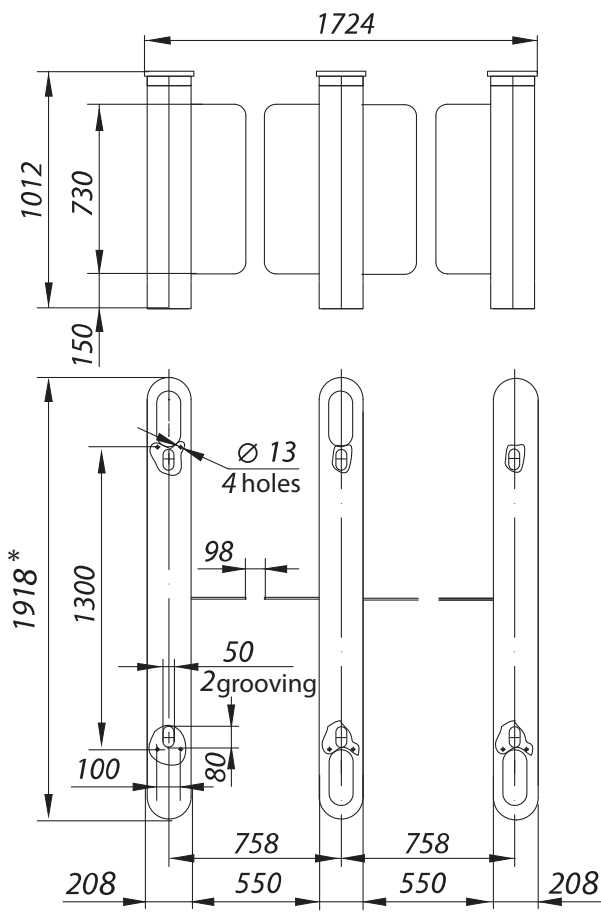
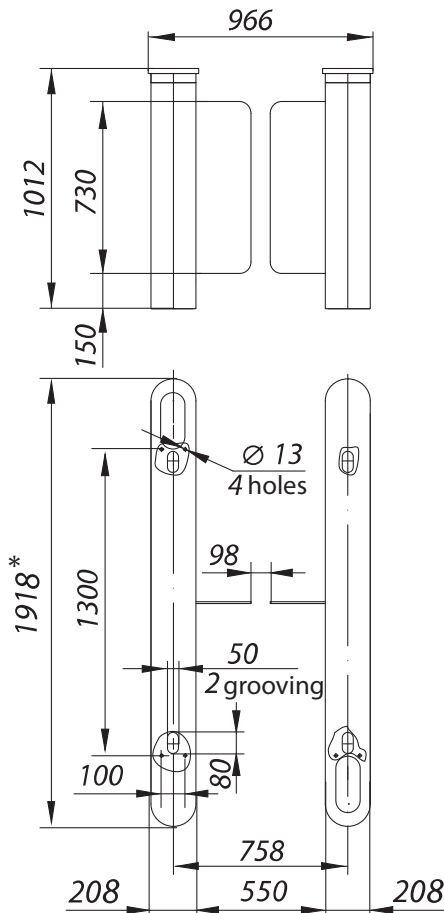
Electrical Specifications

- Voltage:
 - from the AC (100-240)V, 50/60Hz;
 - from a DC source 12 V.
- Maximum power consumption 155 Watt per pass
- Degree of protection according to GOST 14254-96 - IP41

Capacity
30
pers/min

Opening / Closing
0,8
Sec

Passage width
550-900
mm



Freeway turnstiles



Capacity **30** pers/min

Opening / Closing **0,8** Sec

Passage width **516** mm

The "JETPAN" is designed similar to "SPEEDBLADE" turnstile. The only difference of "JETPAN" is high glass panels 1.5 m high. Due to this you get effective protection of your site comparable to full-height turnstiles, but at the same time more graceful solution for stylish lobbies of office centers, banks, state facilities. High panels prevent some things being handed over through the turnstile and the "JETPAN" modification with frosted panels visibly separates the protected area from the public eye.

Glass panels of the turnstile can be manufactured according to the Customer's choice.

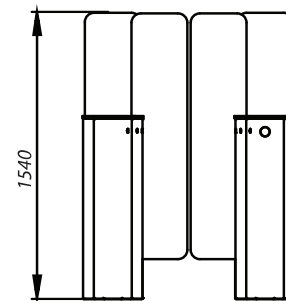
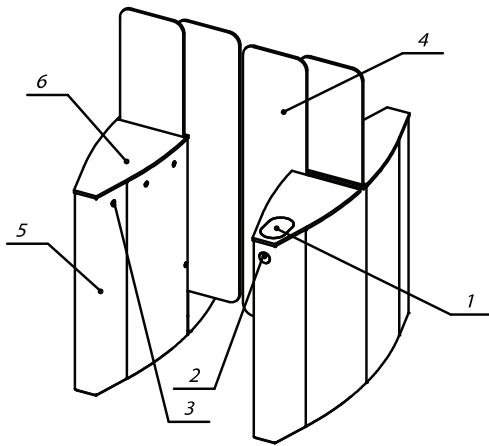
Controlled by

- access control system;
- manual control.

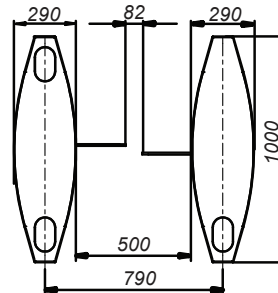
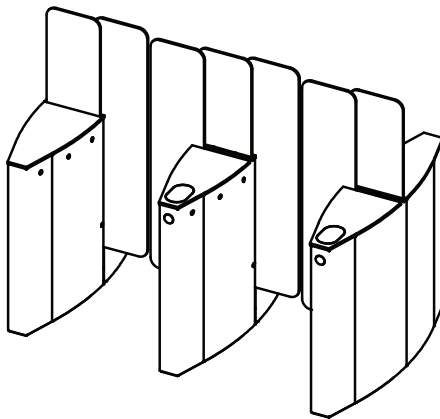
When power goes OFF both directions are free.



Version	Dimensions, mm			Weight, kg, not more
	H	L	B	
Single pass	1540	1080	1000	288
Two-pass	1540	1870	1000	469



- 1 - card reader and LED display;
- 2 - LED display;
- 3 - access sensors;
- 4 - glass leaf;
- 5 - turnstile housing;
- 6 - cover



Electrical Specifications

- Voltage:
 - from the AC (100-240)V, 50/60Hz;
 - from a DC source 12 V.
- Maximum power consumption 155 Watt per pass
- Degree of protection according to GOST 14254-96 - IP41

Freeway turnstiles

The "SPEED BLADE" turnstile is the most compact and "laconic" turnstile of "Freeway" series. The turnstile dimensions, housing materials as well as roundels make the "SPEED BLADE" look gentle and "light". The turnstile's simplicity, speed and principle of operation along with contemporary appearance make the "SPEED BLADE" a perfect solution for any sites.

Controlled by

- access control system;
- manual control.

When power goes OFF both directions are free.

Access control system



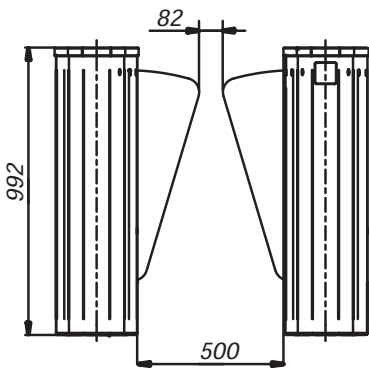
Manual control



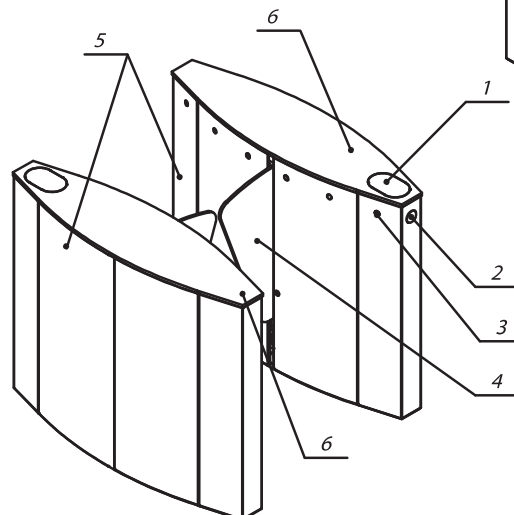
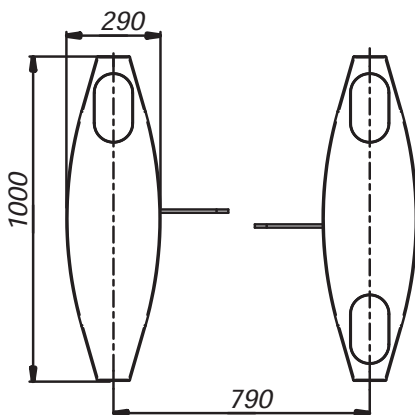
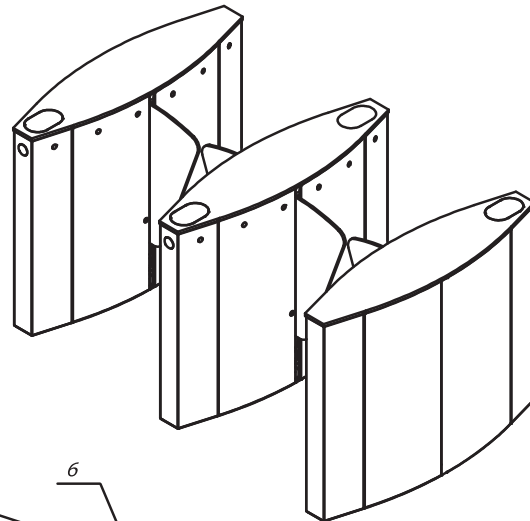
Version	Dimensions, mm			Weight, kg, not more
	H	L	B	
Single pass	992	1080	1000	202
Two-pass	992	1870	1000	324



Speed Blade



- 1 - card reader and LED display;
- 2 - LED display;
- 3 - access sensors;
- 4 - glass leaf;
- 5 - turnstile housing;
- 6 - cover



Electrical Specifications

- Voltage:
 - from the AC (100-240)V, 50/60Hz;
 - from a DC source 12 V.
- Maximum power consumption 155 Watt per pass
- Degree of protection according to GOST 14254-96 - IP41

Horn turnstiles

Skiline



Capacity

Free entry **60** pers/min

Single pass **25** pers/min

Passage width **550** mm

Skiline turnstile was specifically designed for the ski resorts. It is suitable for projects of any size: from one down slope to bigger ski resorts with lots of slopes and flanks of various difficulties.

The virtue of the human height reader post, pass through the turnstile will not cause any inconvenience to the skier. A wide range reader enables the seamless pass through by only approaching the post less than 40 cm to get authorized access and set the bar rotate by a slight push to it.

Due to its design DUOPOD turnstile, in open (Go thru) MODE is an obstacle free pass way for the authorized users since both rods are in the bottom position which eliminates the problem of poking it with the your skis.

Controlled by

- access control system;
- manual control.

When power goes OFF both directions are free.

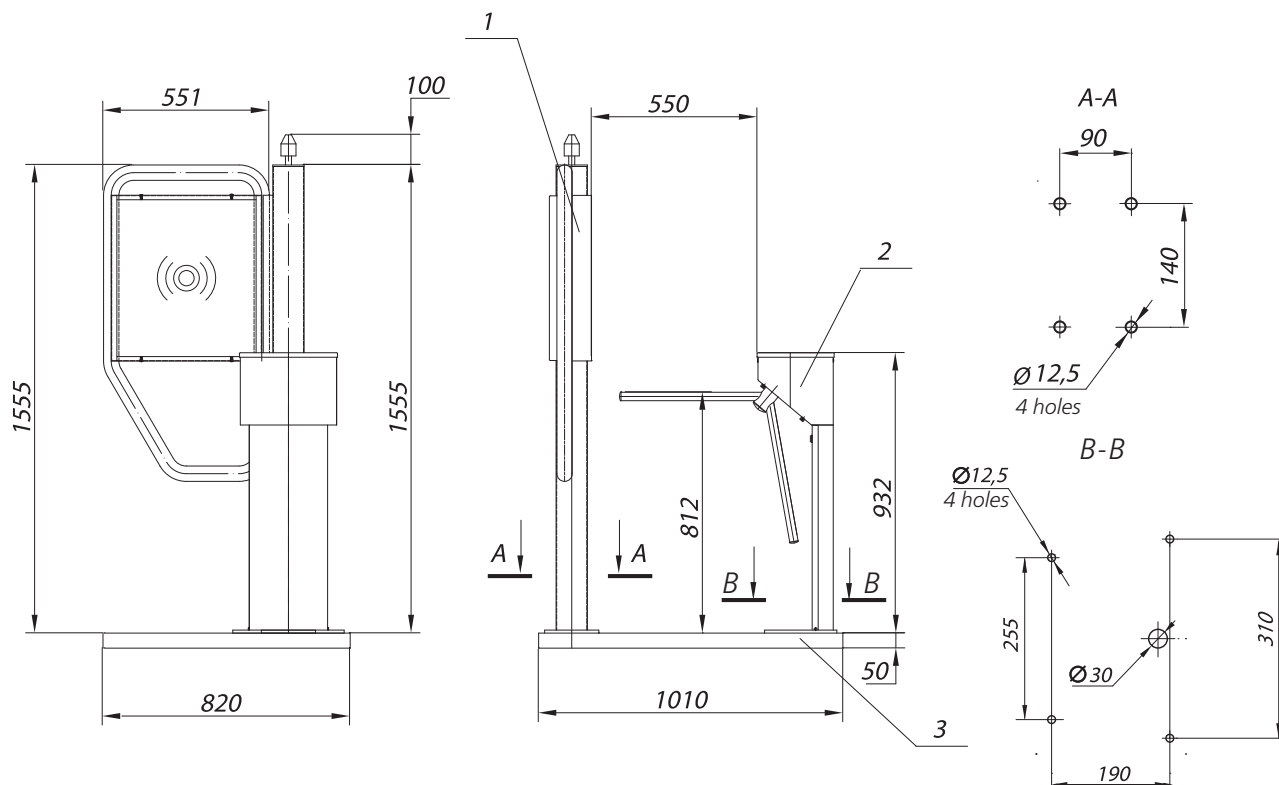
Access control system



Manual control



Version	Dimensions, mm			Weight, kg, not more
	H	L	B	
DUOPOD turnstile	932	742	342	45
Reader post	1655	1010	820	55



Electrical Specifications

- Voltage:
 - from the AC, V (Hz)
 - from a DC source, V
- Maximum power consumption
 - indoor, W per pass
 - outdoor, W per pass
- Degree of protection according to GOST 14254-96
 - indoor
 - outdoor

100-240 (~ 50/60)
12

55
155

IP41
IP54

- 1 – passageway post;
- 2 – turnstile;
- 3 – fixation frame.

A-A hole pattern for fixation of the turnstile passageway post

B-B hole pattern for fixation of the turnstile housing

Horn turnstiles

Centurion



Capacity

Free entry **60** pers/min

Single pass **25** pers/min

Passage width **570** mm

Centurion – used to be the most popular tripod. It takes minimum space and gives maximum efficiency. Fast response servo drive and quick actuation will eliminate queues at the entrance. In case of emergency, drop arm mechanism efficiently enables free passage (within 3 seconds).

Stainless steel will fit any interior*.

Enclosure allows installation of turnstiles, even outdoors, without additional canopy.

* Powder coated and brushed stainless steel versions are available.

Controlled by

- access control system;
- manual control.

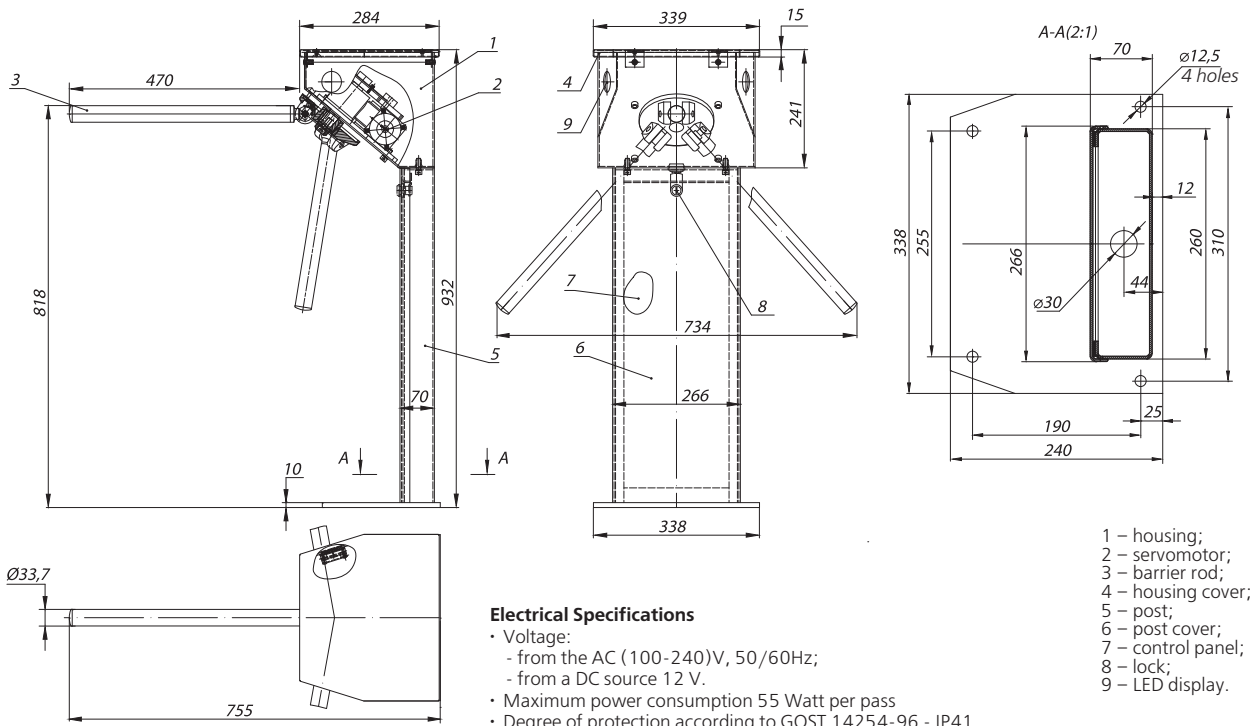
When power goes OFF both directions are free.



To be delivered additionally

- Posts and railings for readers.
- Readers for access control system.
- Remote radio controller.
- Backup battery 12 V, 7 A•h.

Dimensions, mm			Weight, kg, not more
H	L	B	
932	755	734	40



Modification

Skull

Wall-mounted "Centurion" modification (without support).



Duopod

Doomed to get popular in the early period ahead. It allows you to simplify the turnstile mechanism, which ensures its high reliability. Anti panic mode is realized through a simple reversal mechanism at 120 degrees.



Monopod

Advanced, innovative design, the implementation of which is provided by servo. This turnstile looks very unusual and attracts attention.



Horn turnstiles

Twix



Twix turnstile - is a robust and powerful solution in the line of our products. This model will efficiently guard the entrance even in a heavy duty mode of pass ways at loaded objects like stadiums or plants and factories. Turnstiles design is strict and elegant depending on the finishing of the materials it will perfectly fit in unpretentious interior entrance and elegant office building. Laconic design and high quality materials making turnstile Twix ensure reliable operation for years.

Controlled by

- access control system;
- manual control.

When power goes OFF both directions are free.



To be delivered additionally

- Readers for access control system.
- Remote radio controller.
- Backup battery 12 V, 7 A•h.

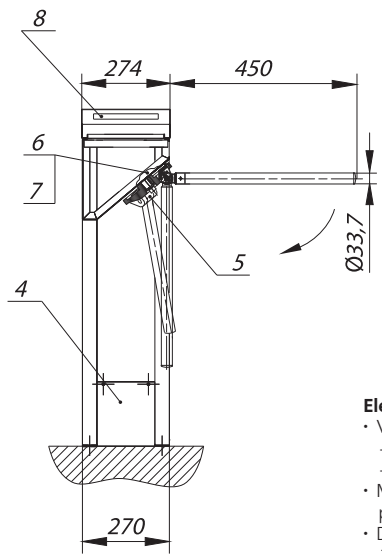
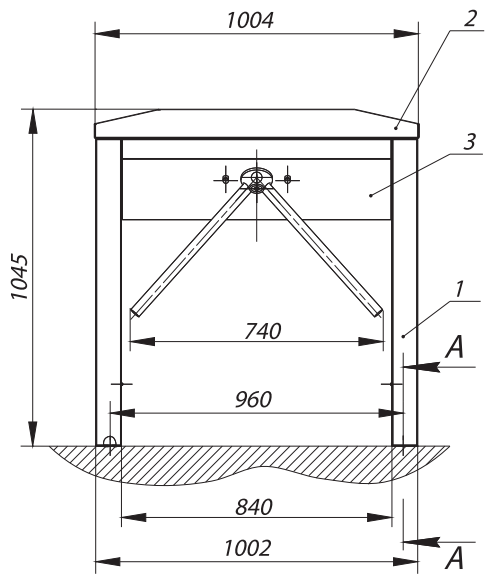
Capacity

Free entry **60** pers/min

Single pass **25** pers/min

Passage width **560** mm

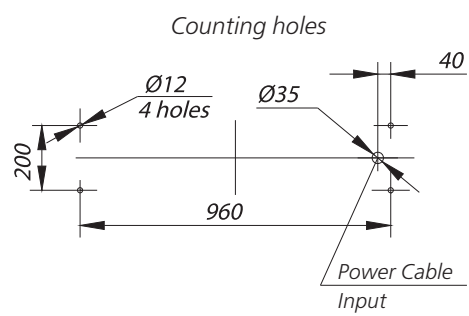
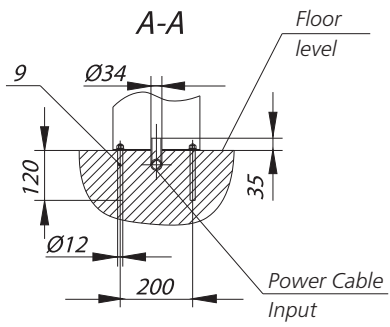
Dimensions, mm			Weight, kg, not more
H	L	B	
1045	724	1004	45



- 1 - post;
- 2 - top cover;
- 3 - housing;
- 4 - side cover;
- 5 - hub with three rods;
- 6 - control mechanism;
- 7 - damper;
- 8 - LED display;
- 9 - anchor Redibolt.

Electrical Specifications

- Voltage:
 - from the AC (100-240)V, 50/60Hz;
 - from a DC source 12 V.
- Maximum power consumption 50 Watt per pass
- Degree of protection according to GOST 14254-96 - IP41



The turnstile "Star-G" and "Star-T" is a practical solution for any access point. This rotor turnstile will be reliable in operation even in the most crowded sites with high traffic intensity.

Depending on your interior, at the option, there are available two versions: the base, the blades of stainless tube(Star-T) or a version with blades made of glass(Star-G). And fences made of stainless tube is perfect for any interior.

Controlled by

- access control system;
- manual control.

When power goes OFF both directions are free.



Versions of the mechanism:

Star-T,G – Servo

To be delivered additionally

- Reader posts
- Readers for access control system.
- Remote radio controller.
- Backup battery 12 V, 7 A·h.

Dimensions, mm			Weight, kg, not more
H	L	B	
1000	1450	1350	70



Star-G

Capacity

Free entry

60
pers/min

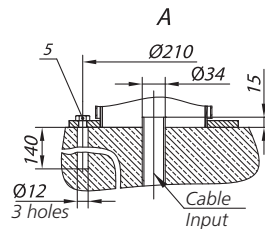
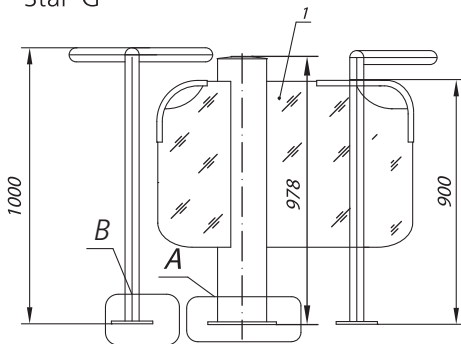
Single pass

20
pers/min

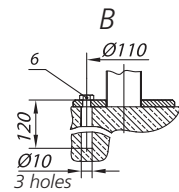
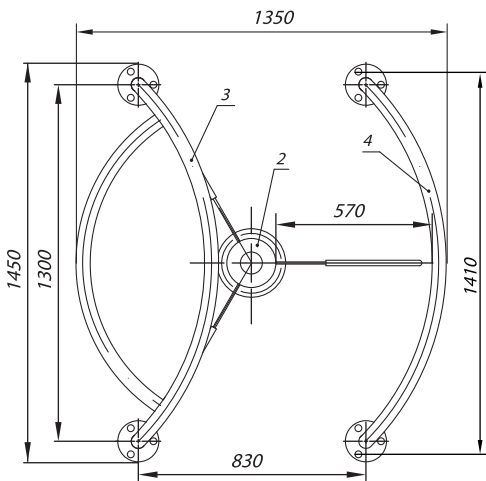
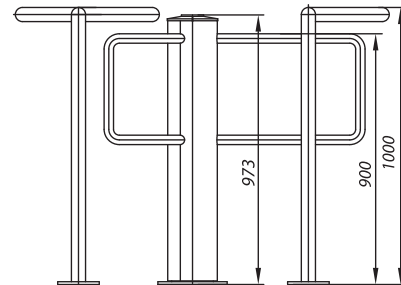


Star-T

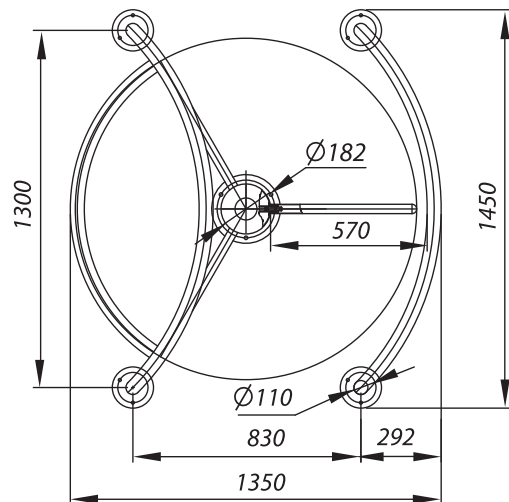
Star-G



Star-T



- 1 – glass blade;
- 2 – rotor;
- 3 – side enclosure;
- 4 – central enclosure;
- 5, 6 – anchor Redibolt



Electrical Specifications

- Voltage:
 - from the AC (100-240)V, 50/60Hz;
 - from a DC source 12 V.
- Maximum power consumption 50 Watt per pass
- Degree of protection according to GOST 14254-96 - IP41

Rotor turnstiles

Star-W



Capacity

Free entry **60** pers/min

Single pass **20** pers/min

Passage width **560** mm

The turnstile "Star-W" has a stylish design enabling to use it for access control even at "VIP-access points" of banks, class A business-centers and other facilities, where interior decoration is important.

Different modifications of this turnstile are available for the customer: a wide range of alternatives of glass tinting, different ways of metal elements treatment, all possible alternatives of timber parts (wood species, texture, colour).

It allows to design the "Star-W" according to your interior.

Controlled by

- access control system;
- manual control.

Versions of the mechanism:

Star-W – Servo

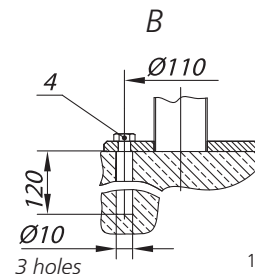
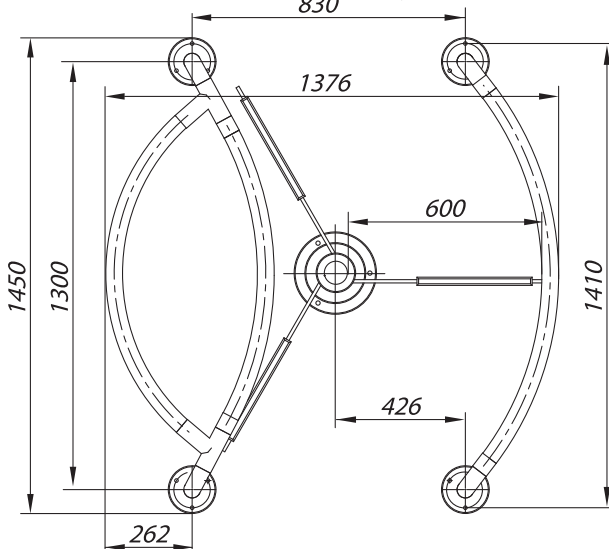
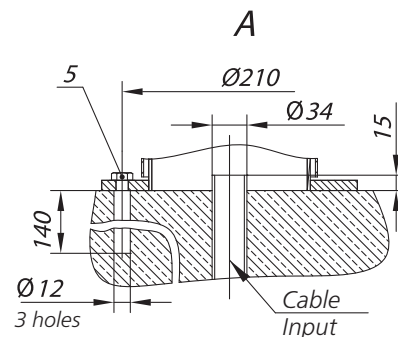
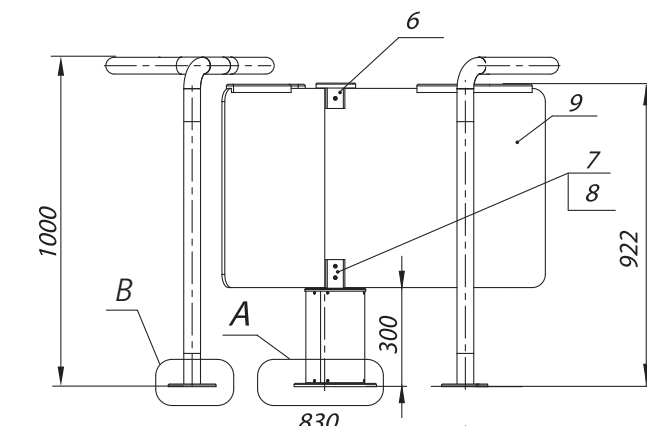
When power goes OFF both directions are free.



To be delivered additionally

- Reader posts
- Readers for access control system.
- Remote radio controller.
- Backup battery 12 V, 7 A•h.

Dimensions, mm			Weight, kg, not more
H	L	B	
1000	1450	1376	70



- 1 – rotor;
- 2 – side enclosure;
- 3 – central enclosure;
- 4, 5 – anchor Redibolt;
- 6, 7 – clamping plate;
- 8 – screw M6x30;
- 9 – glass blade.

Electrical Specifications

- Voltage:
 - from the AC (100-240)V, 50/60Hz;
 - from a DC source 12 V.
- Maximum power consumption 50 Watt per pass
- Degree of protection according to GOST 14254-96 - IP41

Full-height turnstile (shortened)

The shortened version of Full Height Turnstiles - this is an unusual but effective way to protect your territory. Due to its design, the turnstile gives an impression of light but solid terminal perfectly fitting public areas that require reliable, but at the same time elegantly controlled access to the premises.

Controlled by

- access control system;
- manual control.

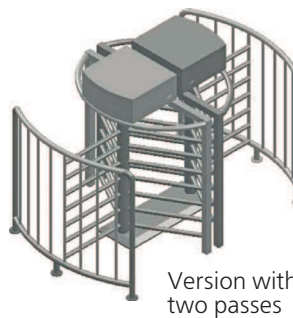
When power goes OFF both directions are closed.



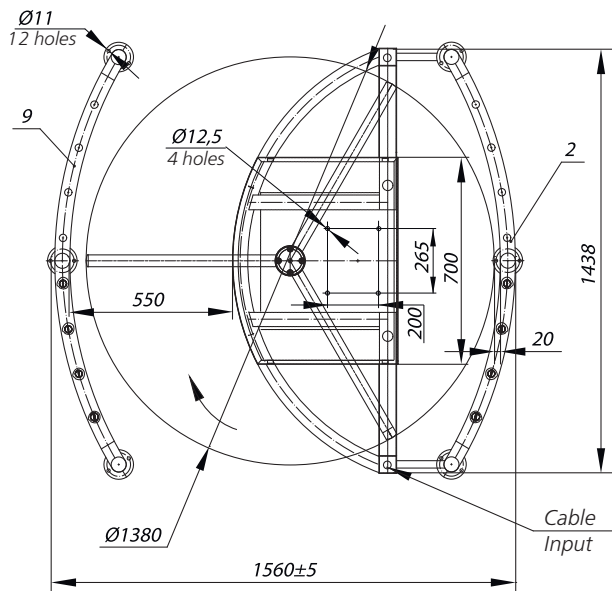
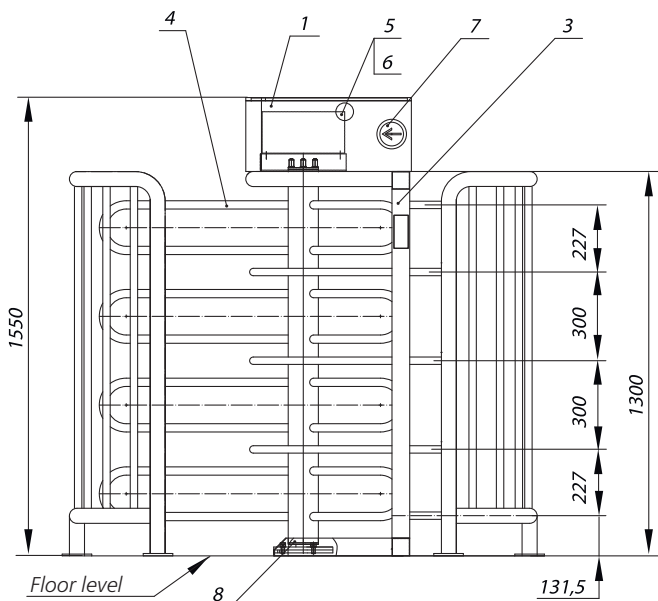
To be delivered additionally

- Manual unlocking in case of unavailable power.
- Readers for access control system.
- Remote radio controller.
- Backup battery 12 V, 17 A•h.

Dimensions, mm			Weight, kg, not more
H	L	B	
1550	1438	1560	250



Version with two passes



- 1 – container;
- 2 – enclosure wall;
- 3 – frame;
- 4 – rotor with U-shaped rods;
- 5 – electrical equipment;
- 6 – control mechanism;
- 7 – LED display;
- 8 – support;
- 9 – passage wall

Electrical Specifications

- Voltage:
 - from the AC (100-240)V, 50/60Hz;
 - from a DC source 12 V.
- Maximum power consumption 50 Watt per pass (150 with servo)
- Degree of protection according to GOST 14254-96 - IP41

Full-height turnstiles

Bicyclone



Capacity **20** pers/min

Passage width **620** mm

Passage width through gate **716** mm

Turnstile that can be applied in a sufficiently wide range of tasks. The basic version includes two passes: for pedestrians and bicycles. And upon demand the second part can be adapted to any specific task – like wheelchair or baby carriages. Various configurations and models of turnstile (material and color options for housing and the angles of the rotor in its turn motorized or mechanical), allow you to choose the perfect solution for your application and your budget.

Controlled by

- access control system;
- manual control.

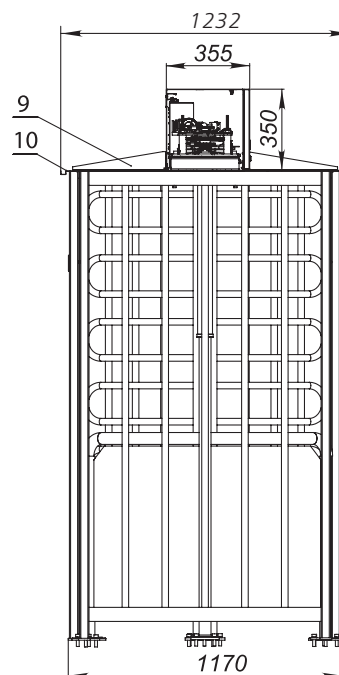
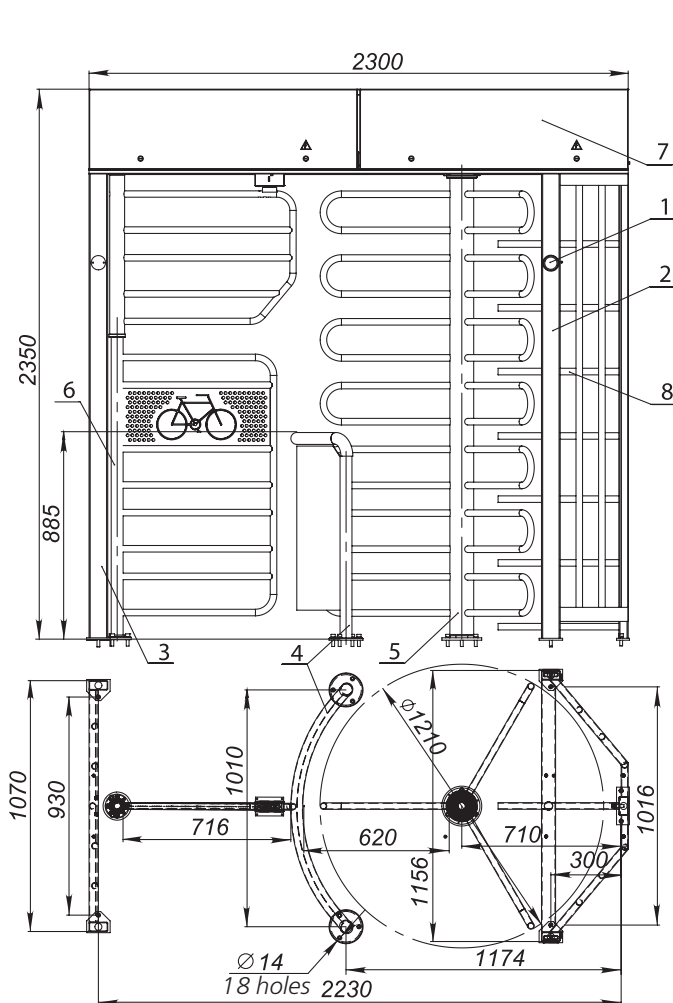
When power goes OFF both directions are closed.



To be delivered additionally

- Manual unlocking in case of unavailable power.
- Readers for access control system.
- Remote radio controller.
- Backup battery 12 V, 17 A•h.
- Protective canopy
- Deskside cabinet with fastening to floor

Dimensions, mm			Weight, kg, not more
H	L	B	
2350	1232	2300	378



- 1 – LED display;
- 2 – enclosure wall;
- 3 – passage wall;
- 4 – central enclosure;
- 5 – rotor with U-shaped rods;
- 6 – twin gate;
- 7 – container with control mechanism;
- 8 – enclosure tubes;
- 9 – brackets;
- 10 – canopies

Electrical Specifications

- Voltage:
 - from the AC (100-240)V, 50/60Hz;
 - from a DC source 12 V.
- Maximum power consumption 350 Watt per pass
- Degree of protection according to GOST 14254-96 - IP41

Full-height turnstiles

GlassGo

You need decent protection and performance and no less design and beauty? Then turnstile GlassGo is for you!

GlassGo is a turnstile, built on the principle of the classical rotary Full Height Turnstiles, but with glass blades instead of rods. This turnstile is a real decoration of your site, and to add it will provide protection comparable to classical full height turnstiles.

Modifications

- Housing – polished stainless steel.
- Housing – brushed stainless steel.

Controlled by

- access control system;
- manual control.

When power goes OFF both directions are closed.

Access control system

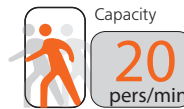


Manual control

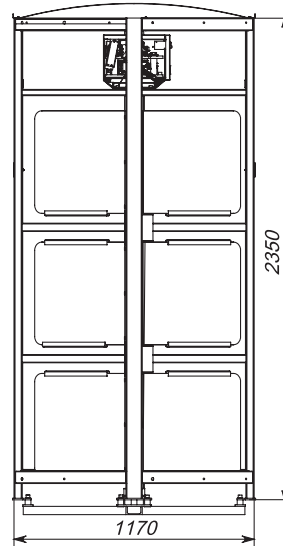
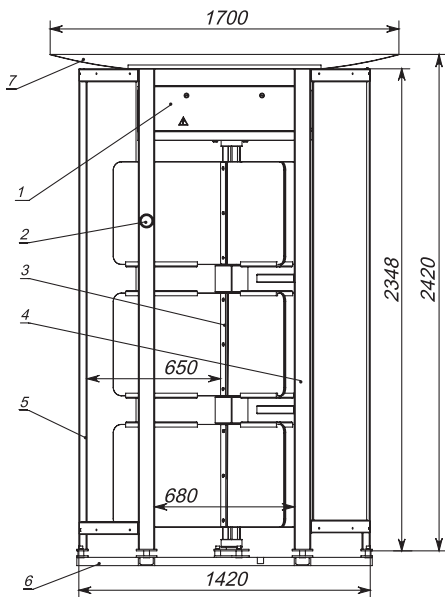


To be delivered additionally

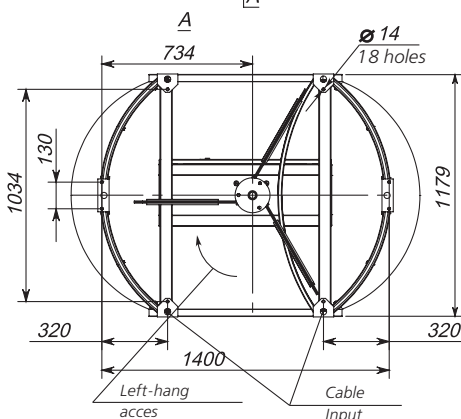
- Manual unlocking in case of unavailable power.
- Readers for access control system.
- Remote radio controller.
- Backup battery 12 V, 17 A·h.
- Protective canopy
- deskside cabinet with fastening to floor



Dimensions, mm			Weight, kg, not more
H	L	B	
2370	1180	1420	470



- 1 – container;
- 2 – LED display;
- 3 – rotor;
- 4, 5 – wall;
- 6 – frame;
- 7 – canopy.

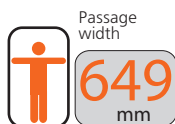


Electrical Specifications

- Voltage:
 - from the AC (100-240)V, 50/60Hz;
 - from a DC source 12 V.
- Maximum power consumption 150 Watt per pass
- Degree of protection according to GOST 14254-96 - IP41

Full-height turnstiles

SESAME



Full height turnstile Sesame - a reliable entry port on your territory. You can be sure that the turnstile will provide 100% performance in access control. Modification with 120 ° rotor, you can get a turnstile with an "air-lock function".

Considered construction ensures smooth operation of turnstile for millions of passes even both indoor and open air applications.

The Sesame turnstile available in a double pass version – TWIN type.

Anti vandal rods will keep the rotor solid and invulnerable. Along with various configurations and models of turnstile (material and color options for housing and the angles of the rotor in its turn motorized or mechanical) will breed several types to pick the most appropriate one.

Controlled by

- access control system;
- manual control.

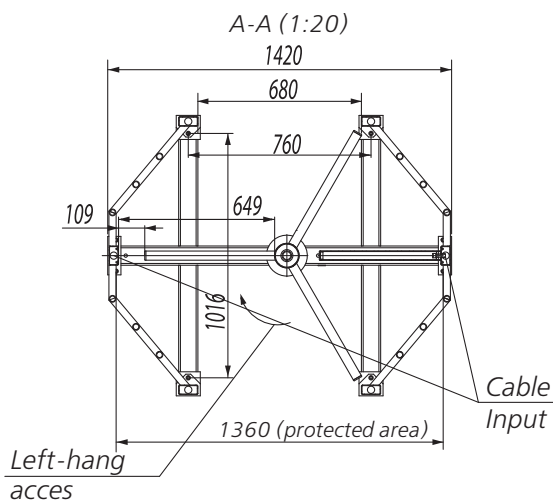
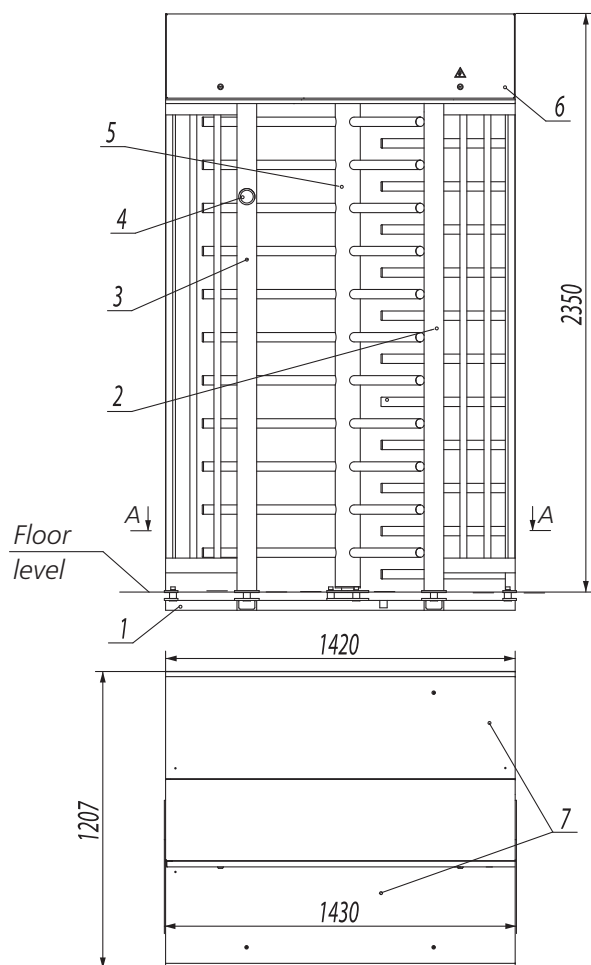
When power goes OFF both directions are closed.



To be delivered additionally

- Manual unlocking in case of unavailable power.
- Readers for access control system.
- Remote radio controller.
- Backup battery 12 V, 17 A•h.
- Protective canopy
- Deskside cabinet with fastening to floor (full-height, half-height)

Dimensions, mm			Weight, kg, not more
H	L	B	
2350	1207	1430	375



- 1 – frame;
- 2 – enclosure wall;
- 3 – passage wall;
- 4 – LED display;
- 5 – rotor;
- 6 – container;
- 7 – canopies.



Full-height turnstile Sesame Basic – is a light version of Sesame turnstile. It is featured by easy-to-install construction and small packing for transportation. Despite of this, turnstile mechanism and manufacturing materials provide same reliability and low maintenance work.



Full-height turnstiles

SESAME twin

The primary purpose is to provide complete barring of an area. It permits single or dual direction control of pedestrian access for enterprises, administrative facilities, banks and other sites as well as for security of protected areas from unauthorized access via a controlled physical barrier. The turnstile provides pedestrian access in the desired direction via actuation of signals from magnetic card readers, keyboards of monitoring access control system (ACS), and manual control panels. Double access design increases crossing capacity of the turnstile.

Modification with 120° rotor, you can get a turnstile with an "air-lock function".

Controlled by

- access control system;
- manual control.

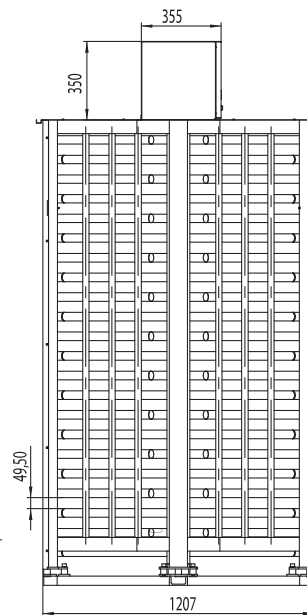
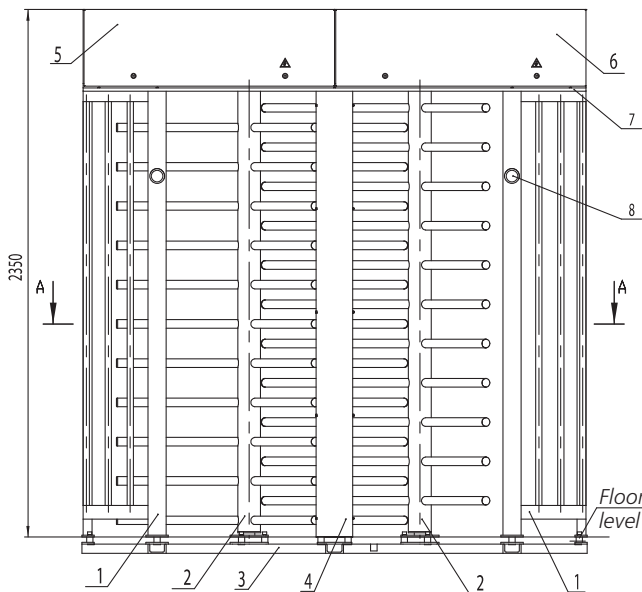
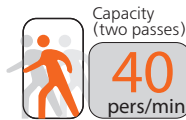
When power goes OFF both directions are closed.



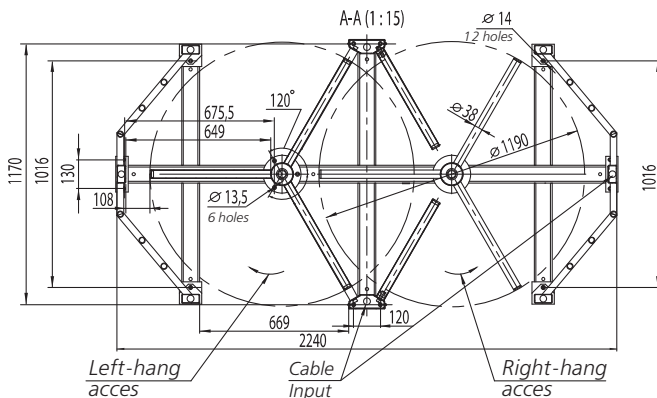
To be delivered additionally

- Manual unlocking in case of unavailable power.
- Readers for access control system.
- Remote radio controller.
- Backup battery 12 V, 17 A•h.
- Protective canopy
- Deskside cabinet with fastening to floor (full-height, half-height)

Dimensions, mm			Weight, kg, not more
H	L	B	
2350	1207	2240	548



- 1 – passage wall;
- 2 – rotor;
- 3 – frame;
- 4 – middle wall;
- 5, 6 – container;
- 7 – canopies;
- 8 – LED display.



Electrical Specifications

- Voltage:
 - from the AC (100-240)V, 50/60Hz;
 - from a DC source 12 V.
- Degree of protection according to GOST 14254-96 - IP41
- Maximum power consumption
 - Without servo
 - indoor 100 W
 - outdoor 500 W
 - Servo
 - indoor 300 W
 - outdoor 700 W



SHORT EM DOOR

The Emergency Door with Magnetic Lock is designed for installation as a part of a full-height turnstile to provide a free exit in an emergency case for evacuation or in case of unavailable power to the turnstile. Also the door is used for pulling through big-sized items.

Modifications

- Outdoor and indoor versions.
- Emergency door with magnetic lock and short emergency door with magnetic lock.

Operation mode

Entry direction
(towards protected area):

- Locked..

Exit direction

(from protected area):

- Locked.
- Free (emergency unlocking).

If power unavailable, both directions are free.

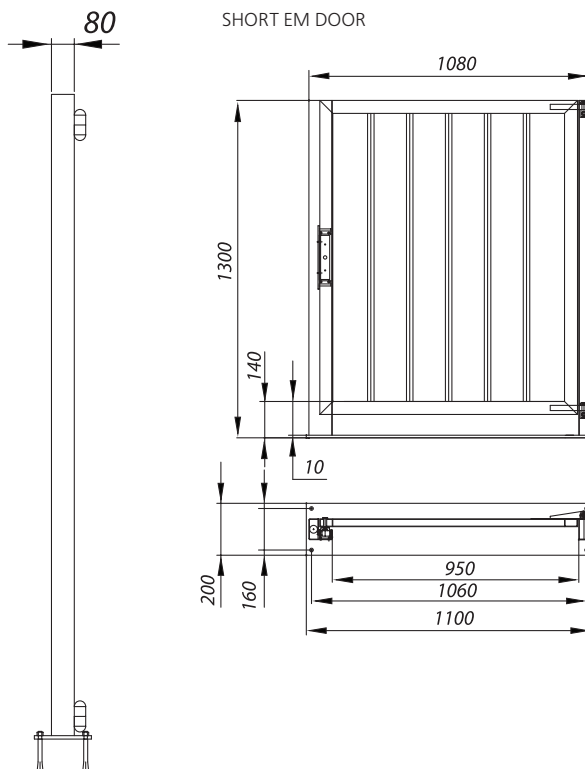
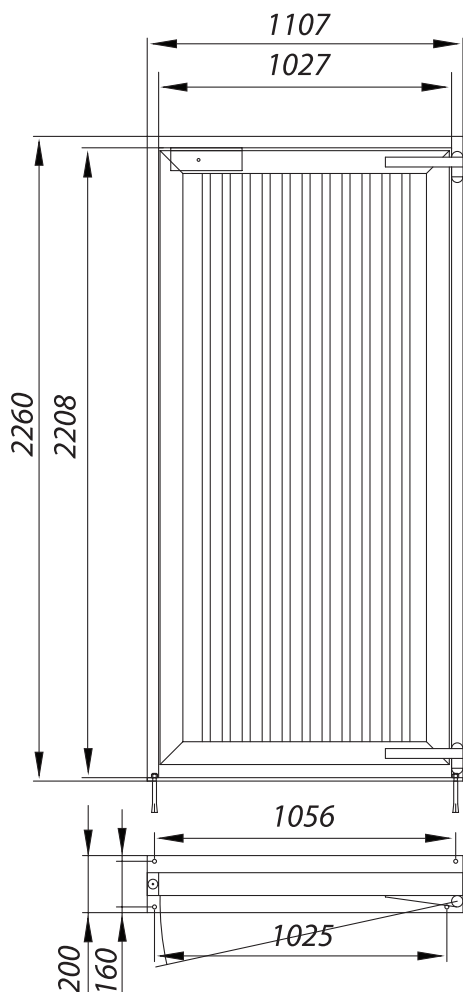
Materials

- Model «Prestige» – polished stainless steel.
- Model «Classic» – structural steel with polymeric coating.
- Model «Modern» – structural steel with zinc coating.
- Basic colors: RAL 7032.

Optional

- Painting in any RAL color.
- Stainless steel with structured surface «Satin».

	Dimensions, mm		
	L	B	H
EM door	1107	200	2260
Short EM door	1100	200	1300



Mechanical Flags are designed for installation at the entry points in enterprises, administrative facilities, banks and other sites to provide a free exit in an emergency case for evacuation or for pulling through big-sized items. Enclosures facilitate the formation of an access area of any required configuration based on the size and layout of hall. They are perfectly harmonized with the design of all turnstiles and fixed fencings and are easily integrated with them. Elegance, lightness and simplicity make the enclosures indispensable as a part of access control system.

Operation mode

Opening and closing is performed by means of lock pins. Angle of opening is 90°.

Modifications

- Model of unique design from tube with diameter of 40 mm.
- With glass.
- With plastic.

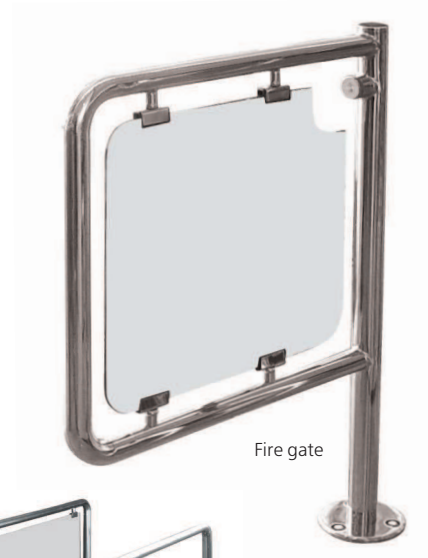
Materials

- Model «Prestige» – polished stainless steel.
- Model «Classic» – structural steel with polymeric coating.
- Basic colors: «Silver antic».

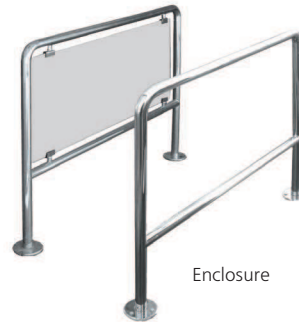
Optional

- Painting in any RAL color.
- Stainless steel with structured surface «Satin».
- Different colors of glass are available.

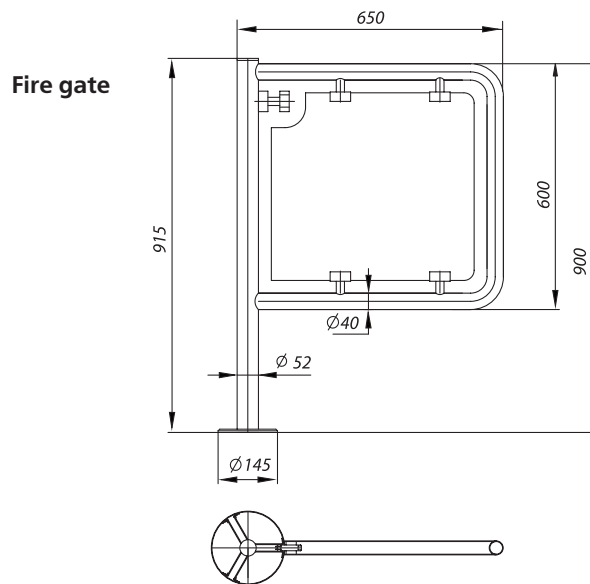
	Dimensions, mm		
	L	B	H
Fire gate	700	145	915
Enclosure	any on request	600	900



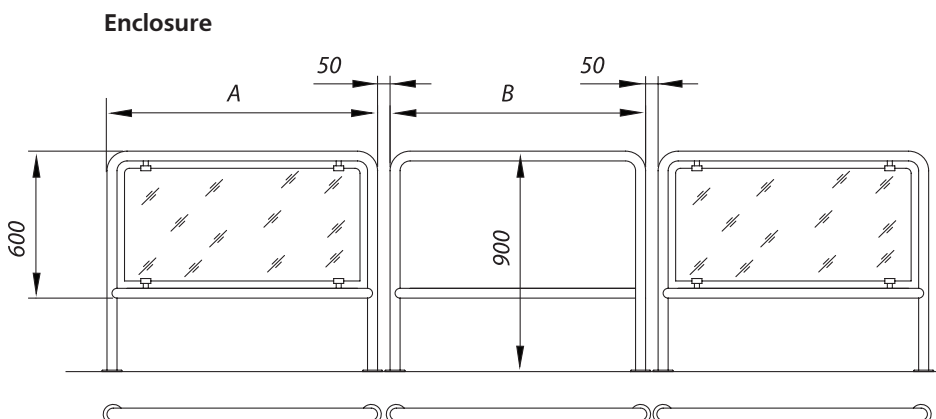
Fire gate



Enclosure



Fire gate



Enclosure



The Reader Post is designed for installation as a part of an access control system for enterprises, administrative facilities, banks and other sites. Elegance, lightness and simplicity make this model very popular as part of access control system.

Modifications

- Model of unique design from tube with diameter of 51 mm.
- Model with diameter of 154 mm including LED display. It allows to control access visually by means of bicolor LED displays.

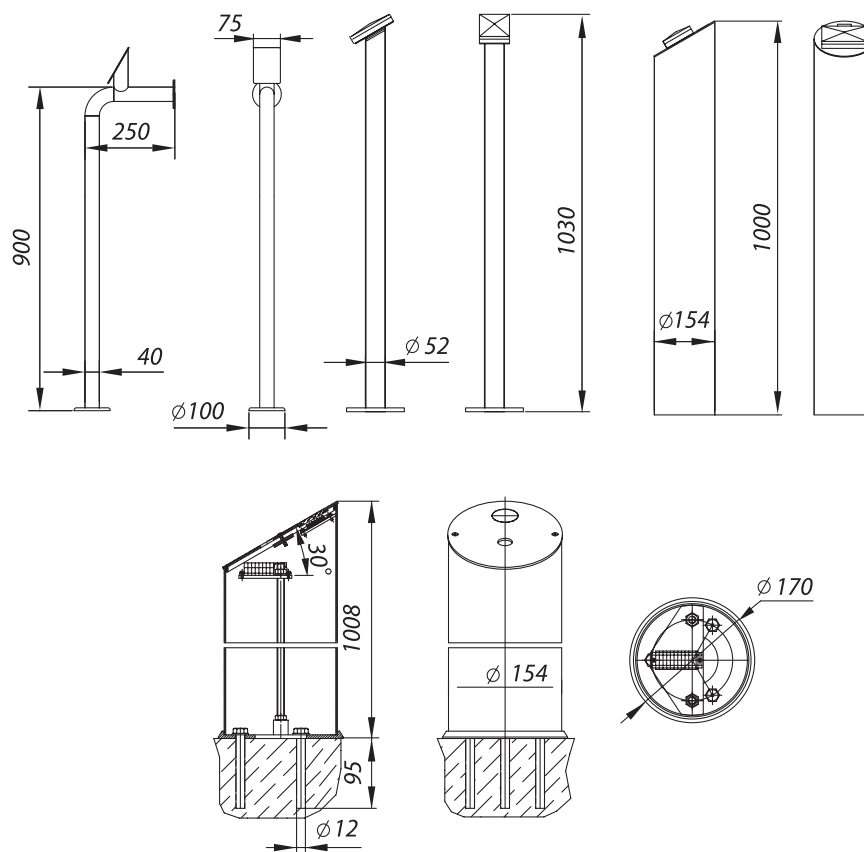
Materials

- Model «Prestige» – polished stainless steel.
- Model «Classic» – structural steel with polymeric coating.
- Basic colors: «Silver antic».

Optional

- Painting in any RAL color.
- Stainless steel with structured surface «Satin».

	Dimensions, mm
Length	150
Width	150
Height	1000



The Mobile Platform consists of landing, enclosure and power supply box, and can have any tripod turnstile attached to it. The main purpose of the Mobile Platform is to ensure quick and easy displacement of an installed tripod turnstile to a place of temporary usage. Elegance, lightness and simplicity make this model particularly popular and irreplaceable in regards to the access control system.

Modifications

- Model of unique design from the tube by diameter of 40 mm.
- An ideal combination with the exterior of any tripod turnstile and easy integration with them.

Materials

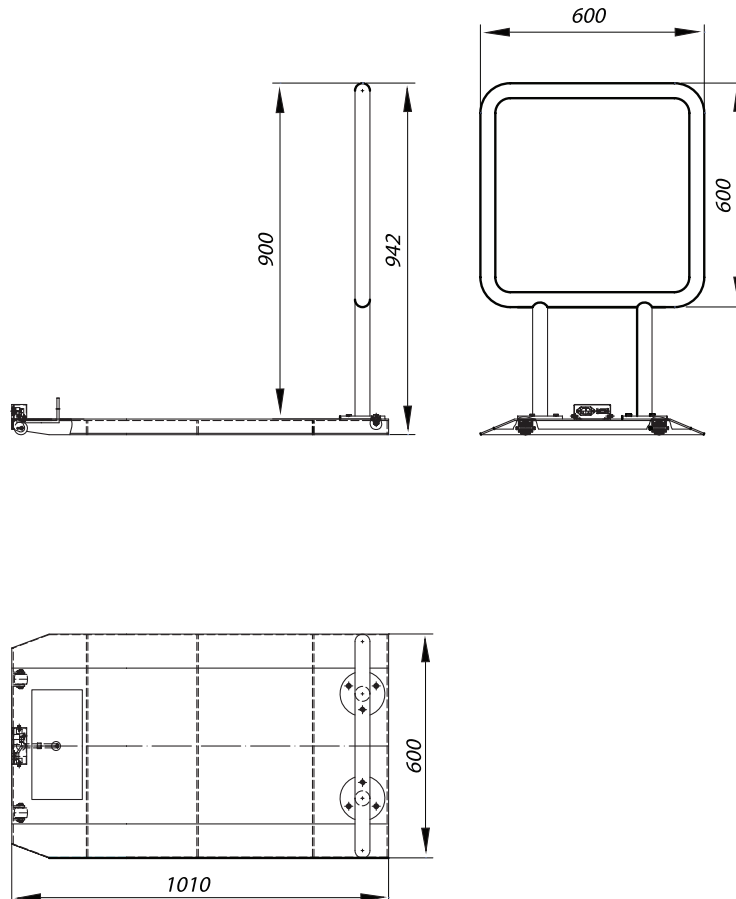
- Mobile Platform – from paint-coated carbon steel.
- Mobile Platform – from stainless steel.
- Basic colors: «Silver antic».

Optional

- Painting in any RAL color.
- Stainless steel with structured surface «Satin».



	Dimensions, mm
Length	1010
Width	600
Height	942



MOBILE PLATFORM



Semicircular Railing



Single Railing

Single Railing appointed to install the reader access control system.
Semicircular Railing installed around the back of the turnstile.

Modifications

- Model of unique design from tube with diameter of 51 mm. Elegance, lightness and simplicity make this model particularly popular.

Materials

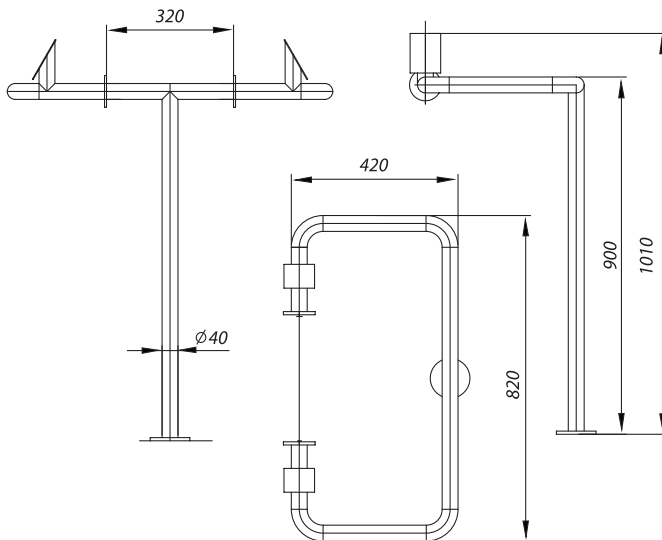
- Model «Prestige» – polished stainless steel.
- Model «Classic» – structural steel with polymeric coating.
- Basic colors: «Silver antic».

Optional

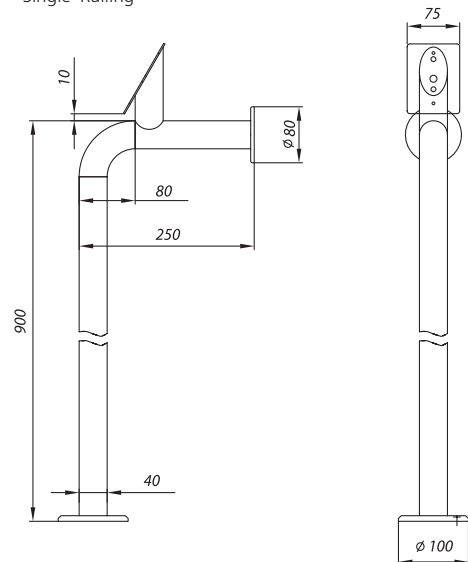
- Painting in any RAL color.
- Stainless steel with structured surface «Satin».

	Dimensions, mm		
	L	B	H
Semicircular Railing	820	420	900
Single Railing	250	100	900

Semicircular Railing



Single Railing



The Guideline Cartridge Post is designed for access control in administrative facilities, banks, stadiums, airports and other sites with separation of prohibited areas. Elegance, lightness and simplicity make this model particularly popular.



Modifications

- Model of unique design from tube with diameter of 63,5 mm with tape. It is possible to apply trade marks and logotypes on the tape.
- Basic tape (color – black), tape width – 48 mm, length – 2,25 m.

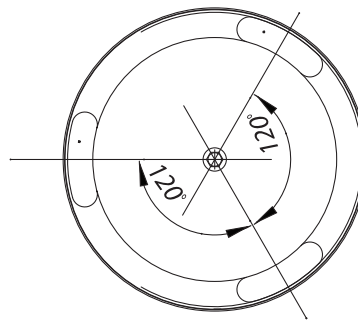
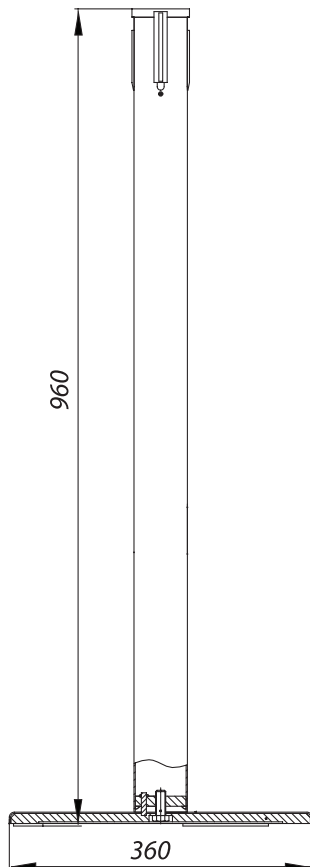
Materials

- Model «Prestige» – polished stainless steel.
- Model «Classic» – structural steel with polymeric coating.
- Basic colors: «Silver antic».

Optional

- Painting in any RAL color.
- Stainless steel with structured surface «Satin».
- Different tape colors and chains in velvet covering are available (tape width – 78 mm).

	DIMENSIONS, mm, maximum
Diameter of post bottom flange	360
Height	960





Security boxes are often applied for preventing from unauthorized access by pedestrians to the protected areas and sites with high security level as well as time & attendance control for workers at construction sites or other temporarily run industrial and entertaining zones.

Housing type

- Standard: 10', 16', 20', 24', 30', 40' Container.

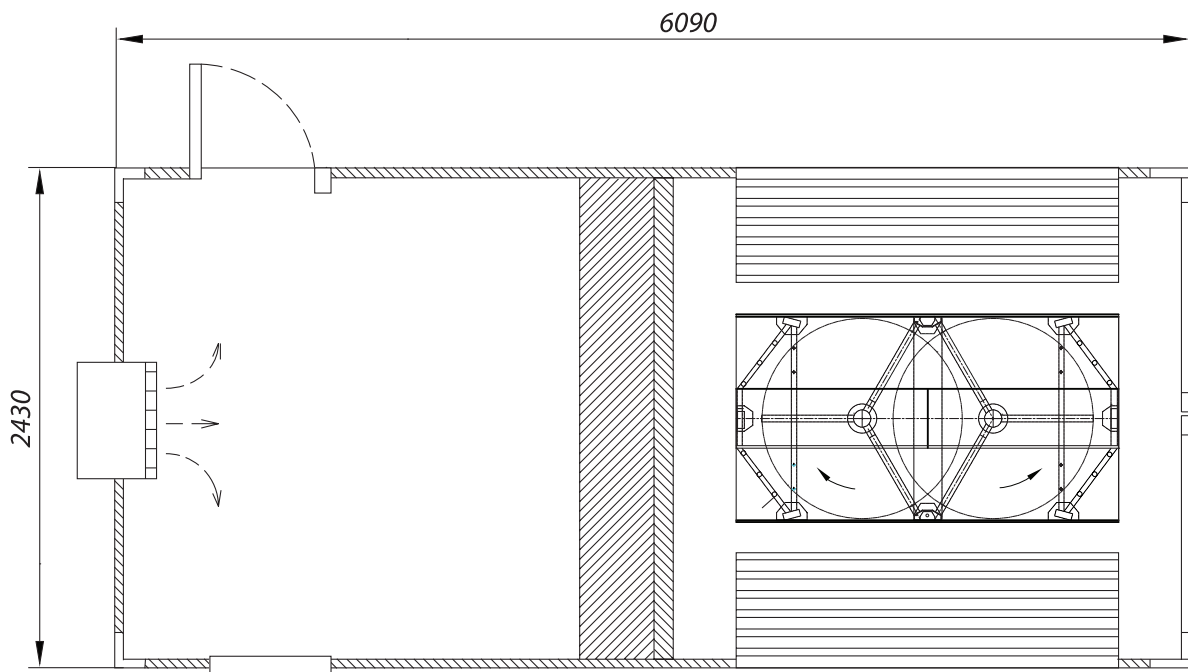
Technical parameters

- Power supply: 220/380 V, 50 Hz.
- Power consumption (depending on the quantity of turnstiles): up to 5000 Watts.

Component parts

- Container.
- Turnstiles.
- AC mains easy plug.
- Roller shutters.
- Fluorescent light and CCTV preparation.
- Guards' office.

DIMENSIONS	
Length	6090 mm
Width	2430 mm
Height	2600 mm



Our products are successfully functioning at many objects in more than 30 countries.

1. Palace of Sports, Kiev, Ukraine.



2. Donbass Arena stadium, Donetsk, Ukraine.



3. Boryspil Int. Airport, Ukraine.



4. Kharkov Int. Airport, Ukraine.

5. Tehran Int. Airport, Iran.

6. Chisinau INT. Airport, Moldova.



7. Abuja Parliament, Nigeria.



8. Birmingham central park, UK.
9. Khartoum business centre, Sudan.



10. Business centre, Dubai, UAE.
11. Canalux Ltd office, Dubai.
12. De La Rue - banknote printing company, Malta.



13. Zoological Gardens, Brno, Czech Republic.
14. Hydro park, Warsaw, Poland.
15. Aquapark, Rostov-na-donu, Russia.
16. Ministry of Defense, Poland.
17. Technoimage LTD office, Dar Es Salaam, Tanzania.
18. Bus station, Tallin, Estonia.
19. Prosecutor General's Office, Baku, Azerbaijan.
20. Home Office, Chisinau, Moldova.
21. OSCE office, Pristina, Kosovo.
22. UNIPOS LTD office, Sofia, Bulgaria.
23. Bank of America central office, Mumbai, India.

24. Ministry of Defense, Tallin, Estonia.



25. Stadium, Cairo, Egypt.

26. Sports Halls, Nasr city, Egypt.

27. Penitentiary, Brno, Czech Republic.

28. Business centre, Murgab, Kuwait.

29. Ministry of information technologies and communication, Chisinau, Moldova.

30. Brewery "Obolon", Kiev, Ukraine.

31. Ministry of Infrastructure, Kiev, Ukraine.



32. National University, Kiev, Ukraine.

33. Ministry of Finance, Kiev, Ukraine.

The logo for TiSO PRODUCTION features the letters 'TiSO' in a bold, white, sans-serif font. The letter 'i' has a small orange dot above it. Below 'TiSO' is the word 'PRODUCTION' in a smaller, white, sans-serif font. A horizontal orange line is positioned below the word 'PRODUCTION'.

TiSO PRODUCTION

Let's make life safer!

Designing, manufacturing, sales, supplying, technical support
of access control systems including turnstiles and blocking systems.

WE HAVE BEEN DOING IT FOR 16 YEARS!

TiSO manufactures products in full compliance with international standards:
CE, ISO 9001:2008 and follows RoHS Directives.

SIDYTAR S.L.
Sistemas de Identificación y Tarjetas S.I.
C/Tomas Bretón, 50 - 28045 Madrid
Tfno.: +34915273392
comercial@sidyta.es

SIDYTAR
www.sidyta.es